

# OVEN CONTROLLED CRYSTAL OSCILLATOR

SERIES :

OCXO 3627

● Specifications

Item	Specifications
Output Frequency	6.4,9.6,10,13MHz
Frequency Stability	±0.1PPM
Temperature Range	0~+70°C
Outout Voltage	TTL Level
Lord	TTL X2
Aging	±2.0/±1.0(X10 <sup>-8</sup> /day:X10 <sup>-7</sup> /year)
Power Supply	12V/200mA

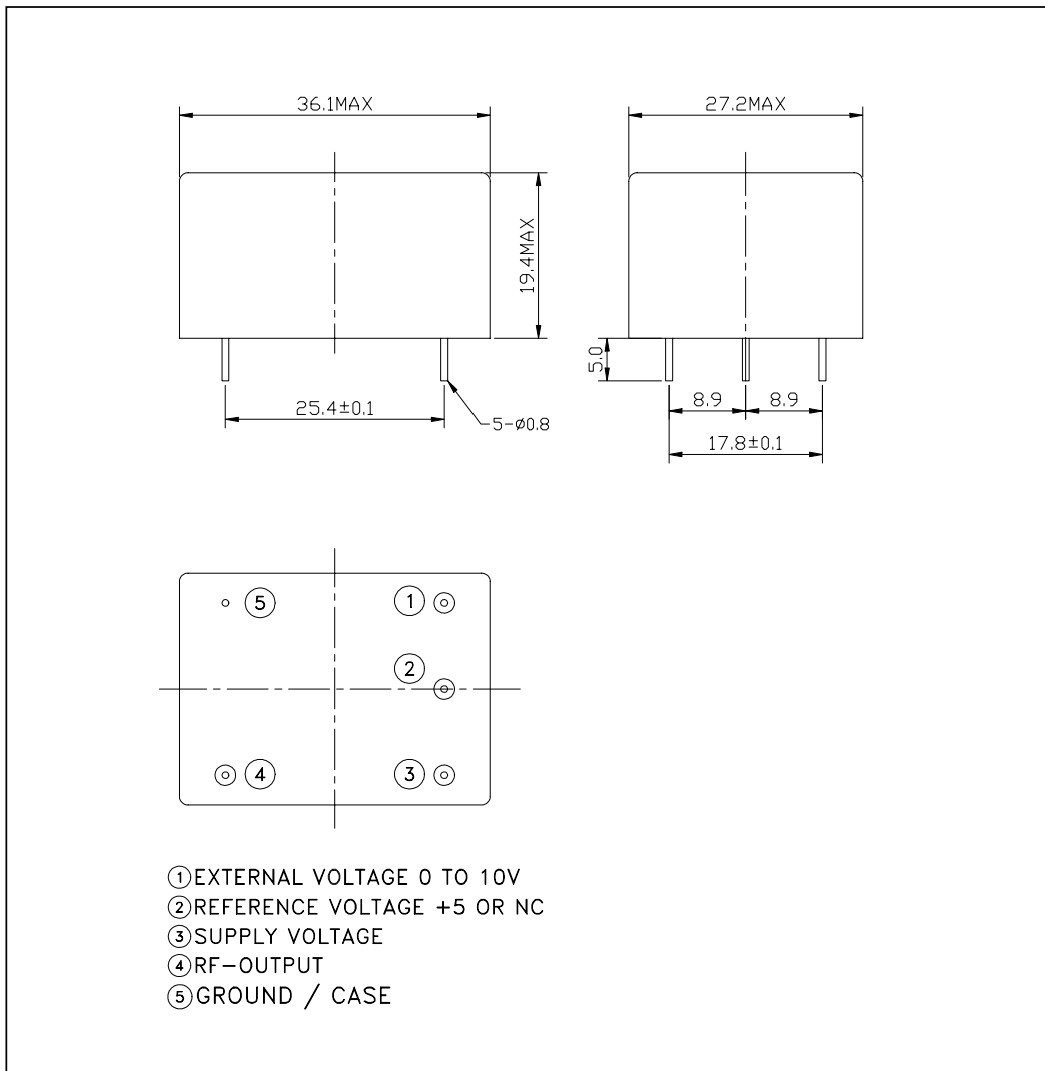
● Part Numbering System

Holder Type	-	Frequency
OCXO3627	-	IN MHz

Example:OCXO3627-10.000MHz

● Outline Drawing

Unit:mm



# OVEN CONTROLLED CRYSTAL OSCILLATOR

SERIES :

OCXO 3030

## Specifications

Item	Specifications
Nominal Frequency	30KHz to 50MHz
Supply Voltage	+10.5V~15V
Supply Current	600mA MAXIMUM/The beginning of lording 70mA MAXIMUM/Normal condition
Frequency Stability	±0.1PPM/25°C
Temperature Characteristics	±0.5PPM/-30~+60°C
Aging	±2.0PPM MAX/Year

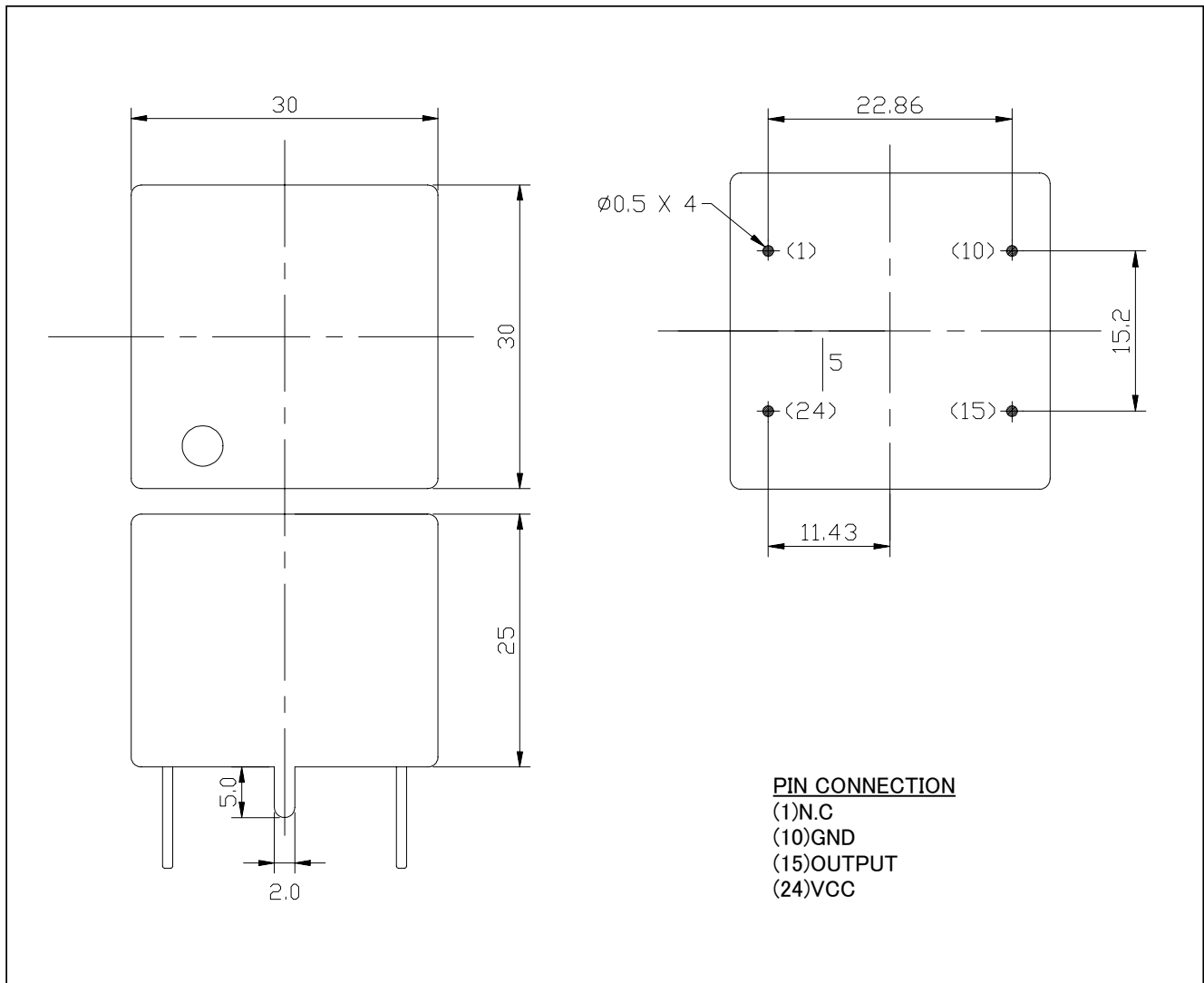
## Part Numbering System

Holder Type	-	Frequency
OCXO3030	-	IN KHz or MHz

Example:OCXO3030-30.000KHz

## Outline Drawing

Unit:mm



# OVEN CONTROLLED CRYSTAL OSCILLATOR

OMCG CO., LTD

SERIES :

OCXO 2012

## Specifications

Item	Specifications	
Nominal Frequency	10MHz,30MHz	
Supply Voltage	DC+12V±10% or DC+5V±10%	
Supply Current	12V	125mA MAXIMUM/During warm up 50mA MAXIMUM/Normal operation
	5V	300mA MAXIMUM/During warm up 120mA MAXIMUM/Normal operation
Output Voltage	Hi:4.5V MIN/Low:0.5V MAX	
MAXIMUM Load	4TTL	
Short Term Stability	1X10 <sup>-9</sup> MAXIMUM τ=1.0seconds	
Phase Noise	Offset	Phase Noise
	1~10Hz	-80dBc
	10~100Hz	-110dBc
	100~1KHz	-125dBc
	1KHz~	-140dBc
Frequency Temperature Characteristics	±1.0X10 <sup>-7</sup> MAXIMUM(-10~+60°C)	
Frequency Shift by Supply Voltage	±5.0X10 <sup>-8</sup> (DC+12V±10%)	
Aging 30days After Switch On	±5.0X10 <sup>-7</sup> MAX/day;±5.0X10 <sup>-7</sup> MAX/year	
Voltage Control Range	Vcc=+12V: ±3.0~±9.0X10 <sup>-6</sup> /VC=0~9V	
	Vcc=+5V: ±1.5~±4.5X10 <sup>-6</sup> /VC=0~4.5V	
Smmetry	40~60%(2.5V Level)	
Operating Temperature Range	-10~+60°C	

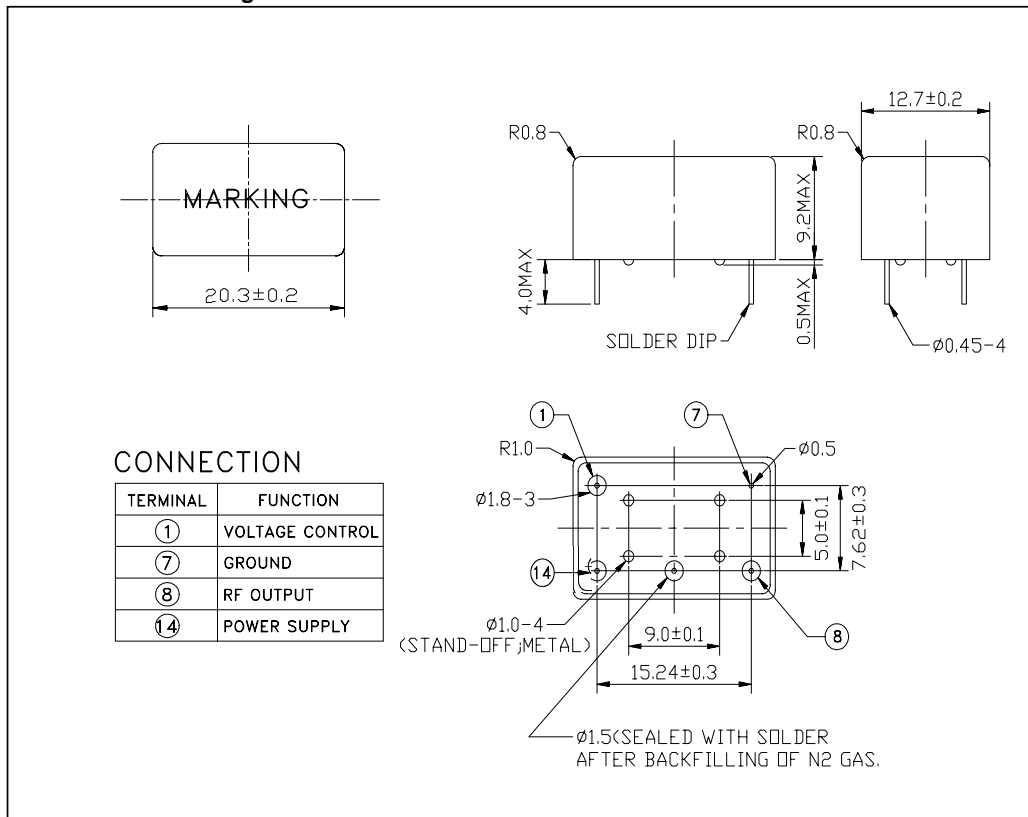
## Part Numbering System

Holder Type	-	Frequency
OCXO2012	-	IN MHz

Example:OCXO2012-10.000MHz

## Outline Drawing

Unit:mm



OMCG CO., LTD

5F Onishi Bldg. 20-15, 1-chome, Osaki, Shinagawa-ku, Tokyo 141-0032, Japan

Tel: 03-5745-5361 Fax: 03-5745-5181 E-mail: postmaster@omcg.jp